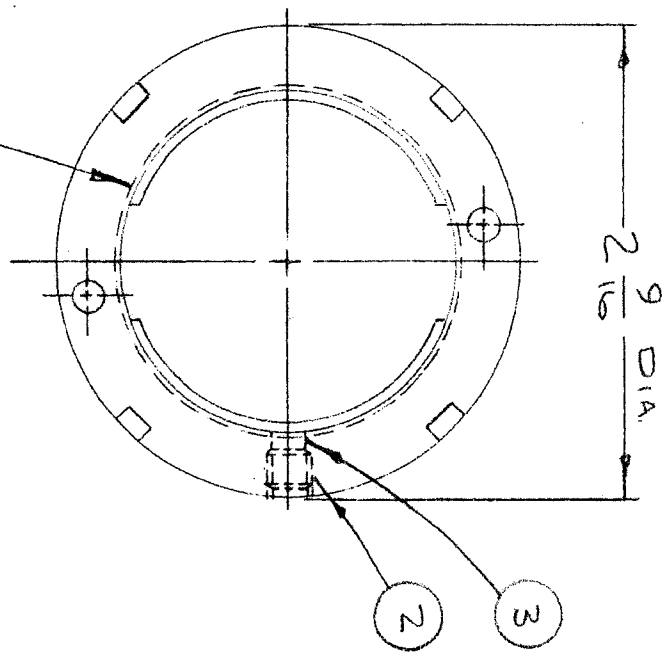
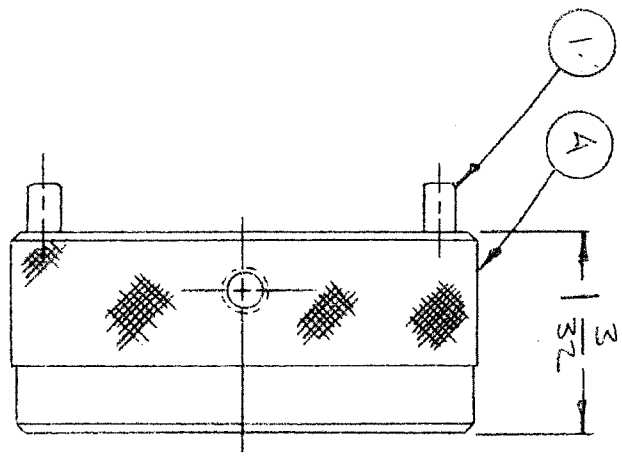


**A**  
20208  
NO.



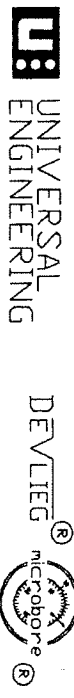
7/8-16 "V" THREAD



| SYM. | CHANGES   | AUTH'Y | DATE |
|------|-----------|--------|------|
|      | MICROFILM |        |      |
|      | MICROFILM |        |      |

| DET. NO. | NAME                              | AMT. | MATL. | SIZE OR NO.       |
|----------|-----------------------------------|------|-------|-------------------|
| 4        | BODY                              | 1    | 4140  | 805274            |
| 3        | WASHER                            | 1    | 1/8   | 805301            |
| 2        | SCREW SET SCREW<br>(1/4-20 X 1/4) | 1    | STD   | 516-20<br>.2508   |
| 1        | ROCK PIN<br>(3/16 X 1/2)          | 2    | STD   | RP001875<br>.5000 |

UNIVERSAL/DeVlieg Inc.



4-BREAK SHARP CORNERS .02 X 45°  
3-G-32 MICRO FINISH OR BETTER ON ALL GROUND SURFACES  
2-250 MICRO FINISH OR BETTER ON ALL MACHINED SURFACES  
1-FRACTIONS ± .010: DECIMALS UNLESS SPECIFIED

THIS DRAWING IS THE PROPERTY OF UNIVERSAL/DEVIEG AND IS NOT TO BE COPIED, DUPLICATED, OR USED BY PARTIES OTHER THAN UNIVERSAL/DEVIEG TO MANUFACTURE THE PRODUCT ILLUSTRATED, OR SUBMITTED TO OTHER PARTIES WITHOUT THE EXPRESS WRITTEN PERMISSION OF:

UNIVERSAL/DeVlieg Inc.

DRN. BY: L.S. OKD. BY: \_\_\_\_\_  
SCALE: Full DATE: 8/14/73  
REF: \_\_\_\_\_ SHT. 2 OF 2

ASSEMBLY NO. TITLE UNIVERSAL \*200  
Kwik-Switch NUT  
CUST. NO. & REV. 178-16 TWO  
DRWG. NO. 80202  
**A**