

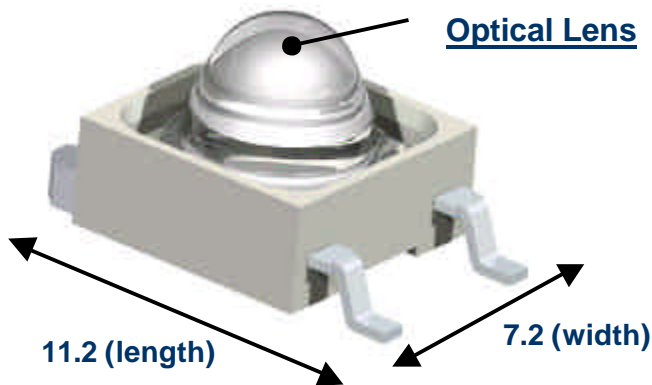
## NSCx190D (Development Code)

### ◆ Features

High Power LED with High Reliability  
 using Optical Lens and Copper Heat sink.

- Drive current :  $I_f=350\text{mA}$
  - Color : White, Blue, Green, Bluish-Green
  - Life Estimation : 50,000hours
  - $R_{th(j-c)}$  :  $< 8^\circ\text{C/W}$
  - Package Design : SMD with Lens
- 6.0mm\*11.2mm\*7.2mm

### ◆ Outline dimensions



Unit : mm

#### Dimensions

11.2(length)\*7.2(width)\*6.0(height)

### ◆ Applications

Traffic Signals, Displays,  
 General Lighting, Automotive

The appearance and specifications of the product are subject to change without notice.