

4300 NEMA 5-15R Outlets



4300.0701

Solder/quick-connect terminals
.187 x .020" (4.8 x 0.6mm)



4300.0702

V-slotted terminals for
connecting multiple receptacles

- Protection Class I or Class II
- Snap-in panel mount from front
- Material: thermoplastic, nylon 66
- Terminals: brass, tin-plated

UL recognition 15A/125V File #E132269
 CSA certification 15A/125V File #073690

4300.0701/02/03 File #E101351
 4300.0705 File #63196



Installation Diagram for 4300.0702



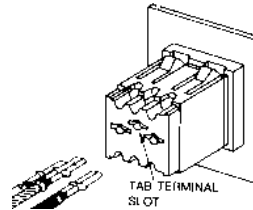
4300.0703

Sockets for quick-connect tabs .205" (5.2mm) or solid wires (12-14AWG)



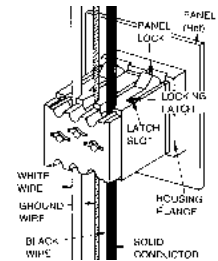
4300.0705

Solder/quick-connect terminals
.187 x .020" (4.8 x 0.6mm)



4300.0703: .205" tab application

Note: terminate quick-connects after the cover is attached



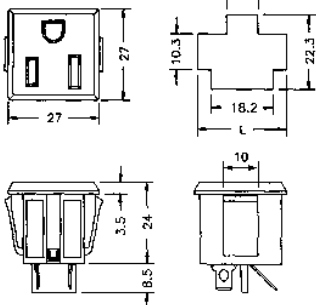
4300.0703: solid wire application

Note: terminate solid wires before attaching the cover



Standards: 4300.0701/02/03: NEMA 5-15R
 4300.0705: UL 498, CSA 22.2, NEMA 1-15R

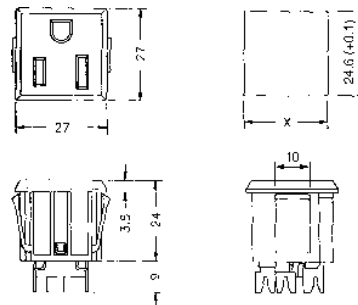
4300.0701



panel thickness 0.8 – 1.6mm

PANEL THICKNESS	L
0.8 mm	24 ± 0.1
1.0 mm	24.6 ± 0.1
1.2 mm	25.2 ± 0.1
1.6 mm	26.2 ± 0.1

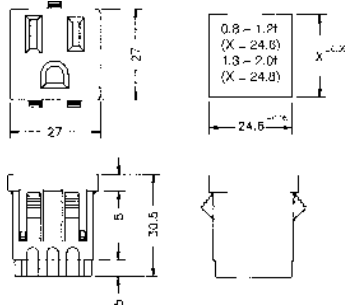
4300.0702



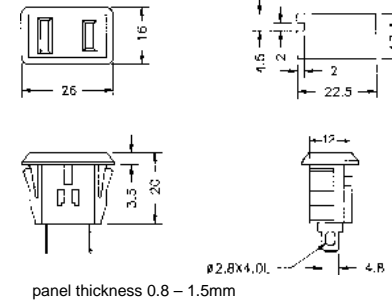
panel thickness 0.8 – 1.6mm

PANEL THICKNESS	X
0.8-1.2 mm	24.6 + 0.1
1.3-1.6 mm	24.8 ± 0.1

4300.0703



4300.0705



panel thickness 0.8 – 1.5mm

Order Numbers (type)

NEMA	Protection Class	Terminal / socket type	Panel
4300.0701 (0709)	Class I	solder/quick-connect terminals .187 x .020" (4.8 x 0.6mm)	0.8-1.6mm
4300.0702 (0709-1)	Class I	V-slotted terminals (14 AWG)	0.8-1.6mm
4300.0703 (0710)	Class I	sockets for quick-connect tabs .205" (5.2mm) or solid wire termination (12-14 AWG)	0.8-3.0mm
4300.0705 (0715)	Class II	solder/quick-connect terminals .187 x .020" (4.8 x 0.6mm)	0.8-1.5mm