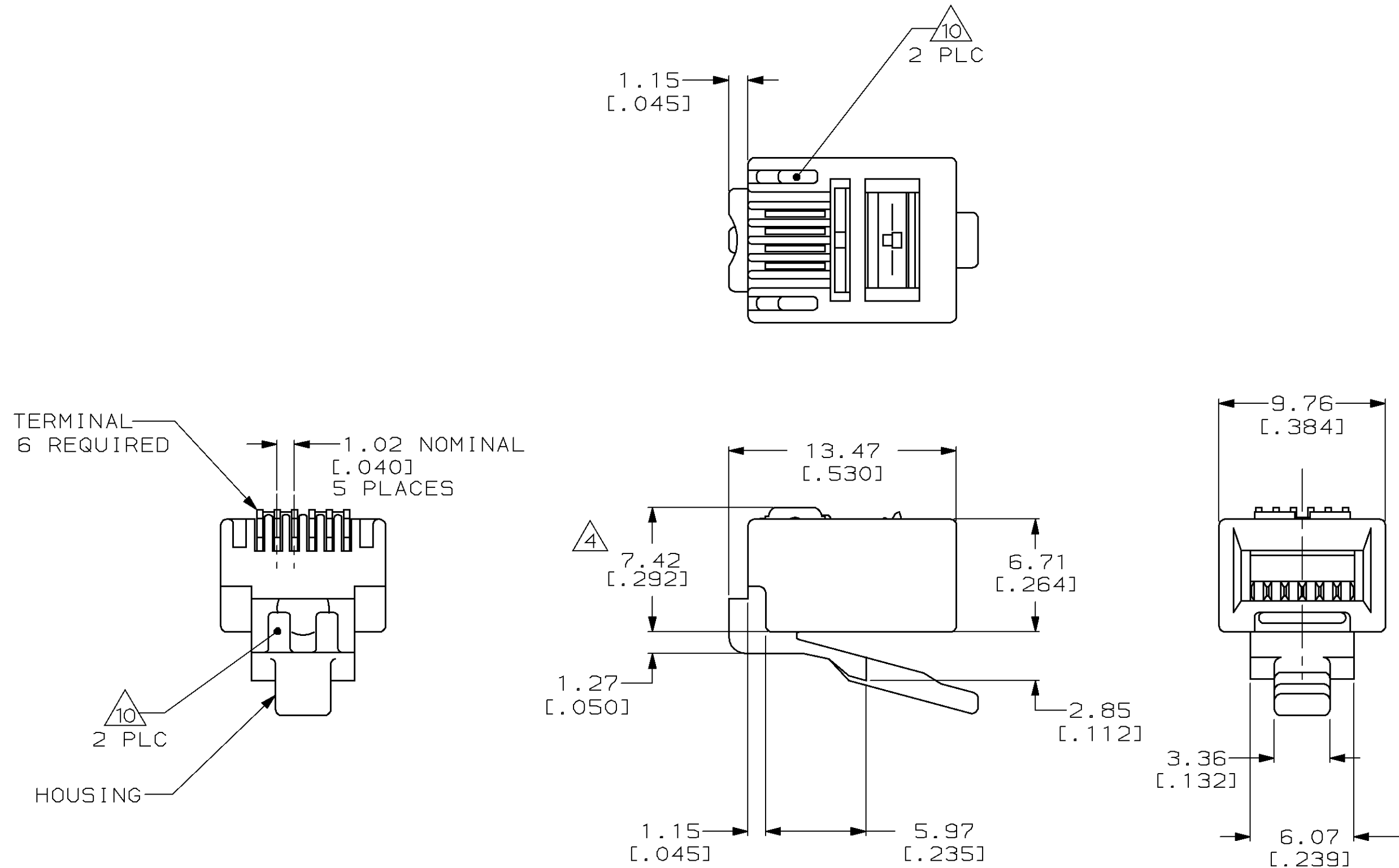


LOC	DIST	P	F	REVISIONS			DATE	APPD
ZONE	LTR	DESCRIPTION						
AA	22			U	REV; EC 0502-0462-97	14JUL97	GG EL	

- ① DIMENSIONS ARE MAXIMUM UNLESS OTHERWISE SPECIFIED.
- ② MATERIAL: HOUSING-POLYCARBONATE, CLEAR. TERMINAL-0.36[.014] THICK PHOSPHOR BRONZE PLATED WITH 1.27μm[.000050] THICK GOLD IN LOCALIZED GOLD PLATE AREA, GOLD FLASH OVER THE REMAINDER, OVER 2.54μm[.000100] THICK NICKEL UNDERPLATE.
- ③ PLUG WILL ACCEPT 26 OR 28 AWG STRANDED OR TINSEL WIRE HAVING AN INSULATION DIAMETER OF 0.89 - 0.99[.035 - .039] AND A MAXIMUM OVAL CABLE JACKET OF 2.29 x 6.61[.090 x .260].
- ④ TERMINATED DIMENSION 6.15[.242] MAXIMUM.
- ⑤ PACKAGED 10 ASSEMBLIES PER BLISTER PACK.
- ⑥ PACKAGED 10,000 ASSEMBLIES PER CARTON.
- ⑦ PACKAGED 1000 ASSEMBLIES PER CARTON.
- ⑧ PACKAGED 100 ASSEMBLIES PER BOX, 10 BOXES PER CARTON.
- ⑨ PACKAGED 25 ASSEMBLIES PER POLYBAG, 40 POLYBAGS PER CARTON.
- ⑩ REELED PRODUCT ON STRIP DOES NOT HAVE VOID CORING ILLUSTRATED ON THIS DRAWING.



PACKAGE	PART NO
⑤	6-641337-3
⑨	5-641337-4
⑧	5-641337-3
⑦	5-641337-2
⑥	5-641337-1
REELED ⑩	641337-1

DO NOT SCALE PRINT. UNLESS SPECIFIED DIMENSIONS IN mm [INCHES] TOLERANCES ON:		DR 9-3-93 YTP/UTA		AMP Incorporated Harrisburg, PA 17105-3608		
2 PLC DEC ± - ①		CHK 9-15-93 C.WHITT				
3 PLC DEC ± -		APPD 9-20-93 J.TONEY		NAME		
ANGLES ± -		APPD 9-20-93 H.MCGRATH		MODULAR PLUG ASSEMBLY, 6 POSITION, LINE		
MATERIAL ②		PRODUCT SPEC 108-1163				
FINISH ②		APPLICATION SPEC 114-6016		SIZE	CAGE CODE	DRAWING NO
THIS DRAWING IS A CONTROLLED DOCUMENT FOR AMP INCORPORATED. IT IS SUBJECT TO CHANGE AND THE CONTROLLING ENGINEERING ORGANIZATION SHOULD BE CONTACTED FOR THE LATEST REVISION.		WEIGHT -		③	00779	④=641337
				SCALE	4:1	SHEET 1 OF 1