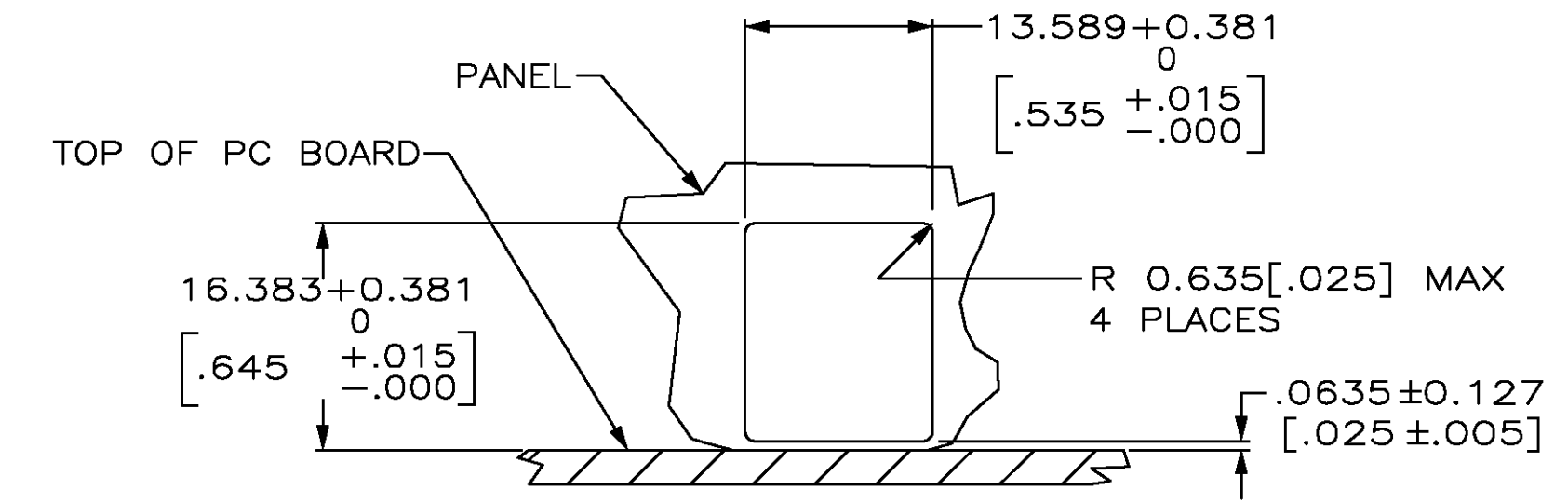
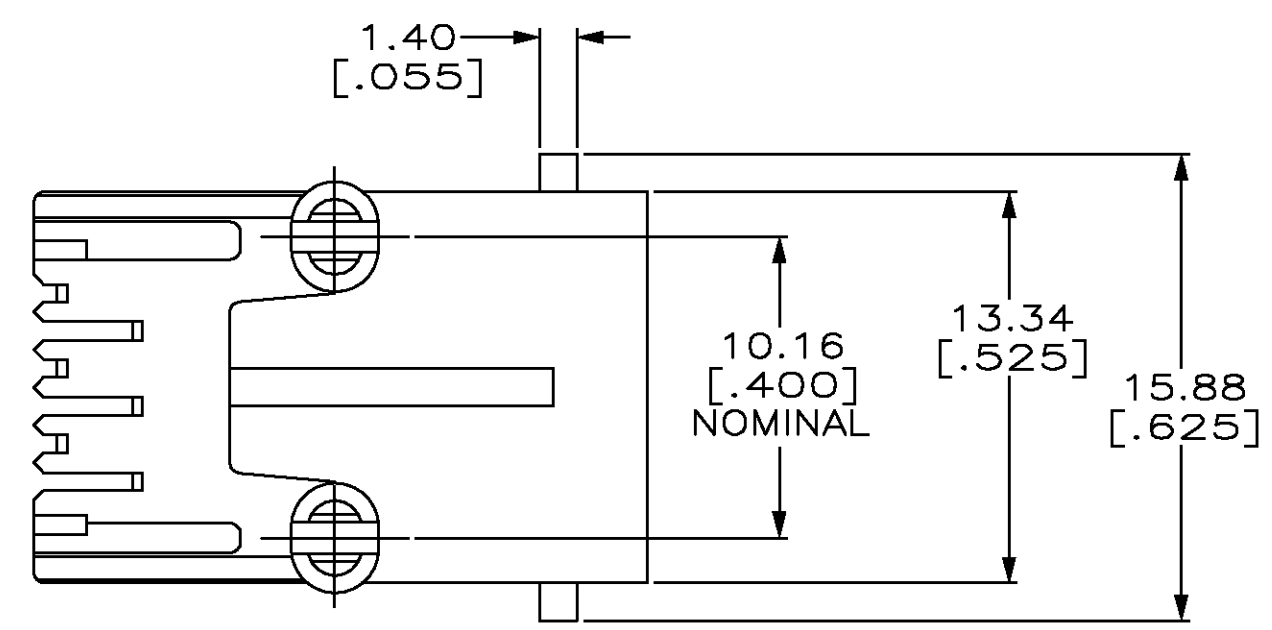
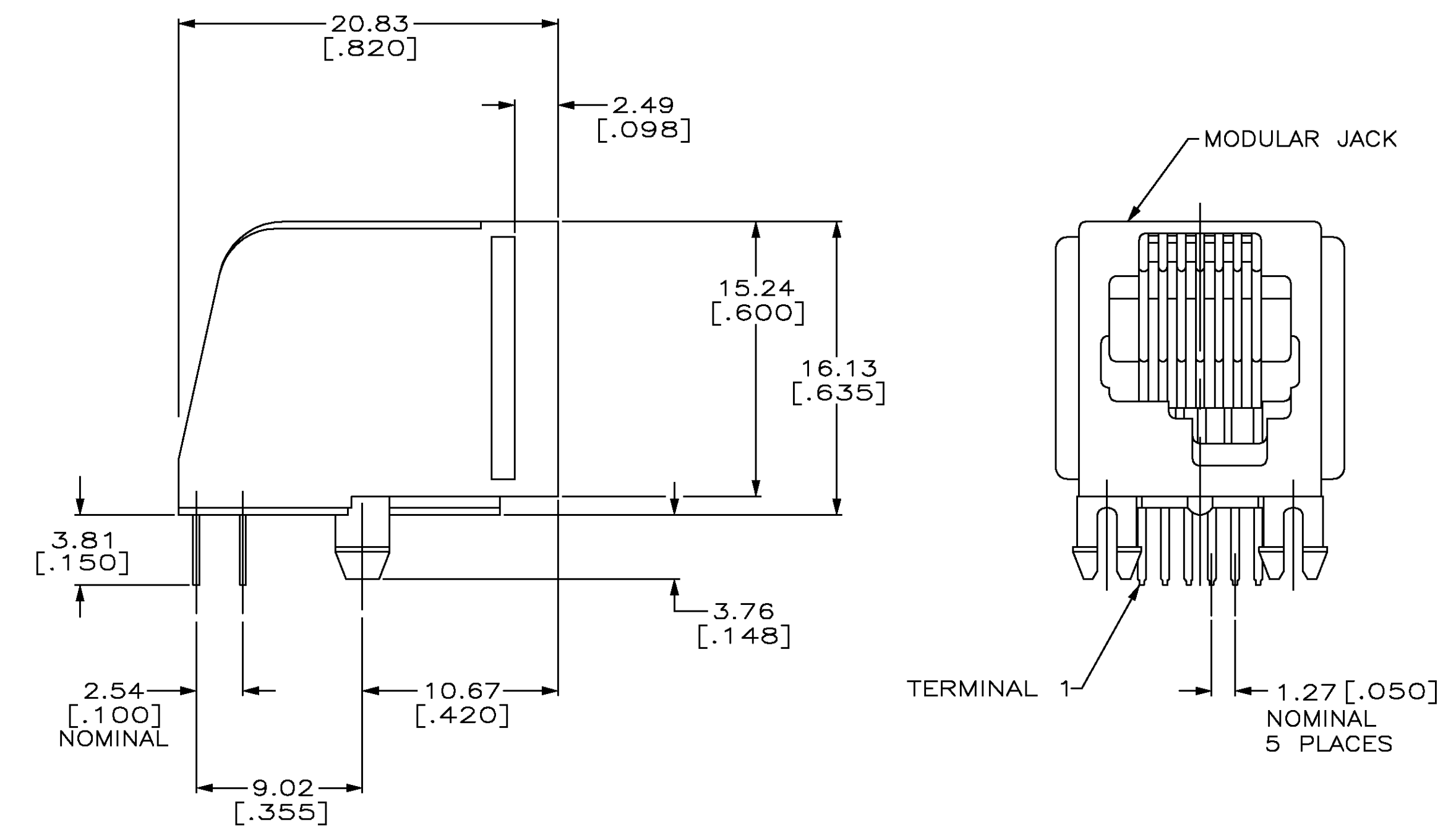
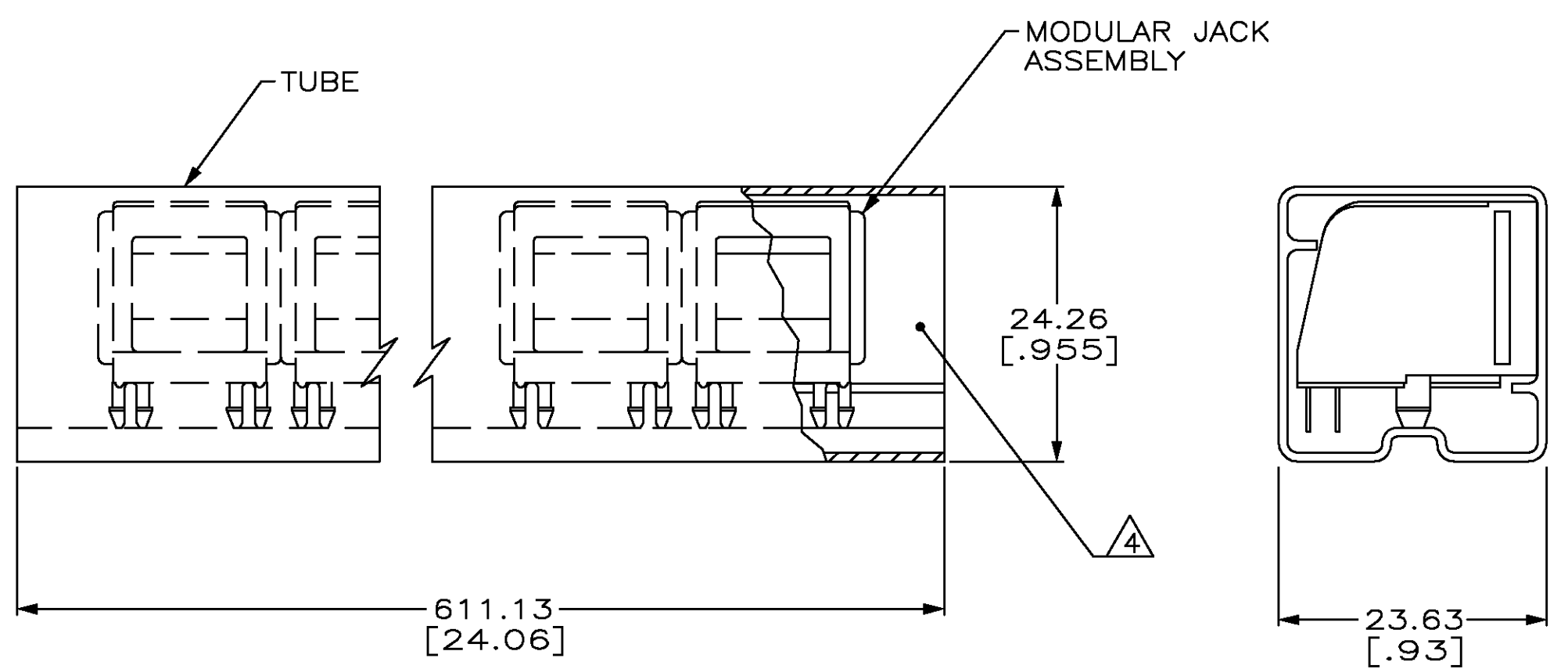


LOC		DIST		REVISIONS			
AA	22	P	LR	DESCRIPTION	DATE	DN	APP
		F		ADDED:-2,NPR C99-001 & EC OG7A-0039-99	04FEB99	DLD	CMB

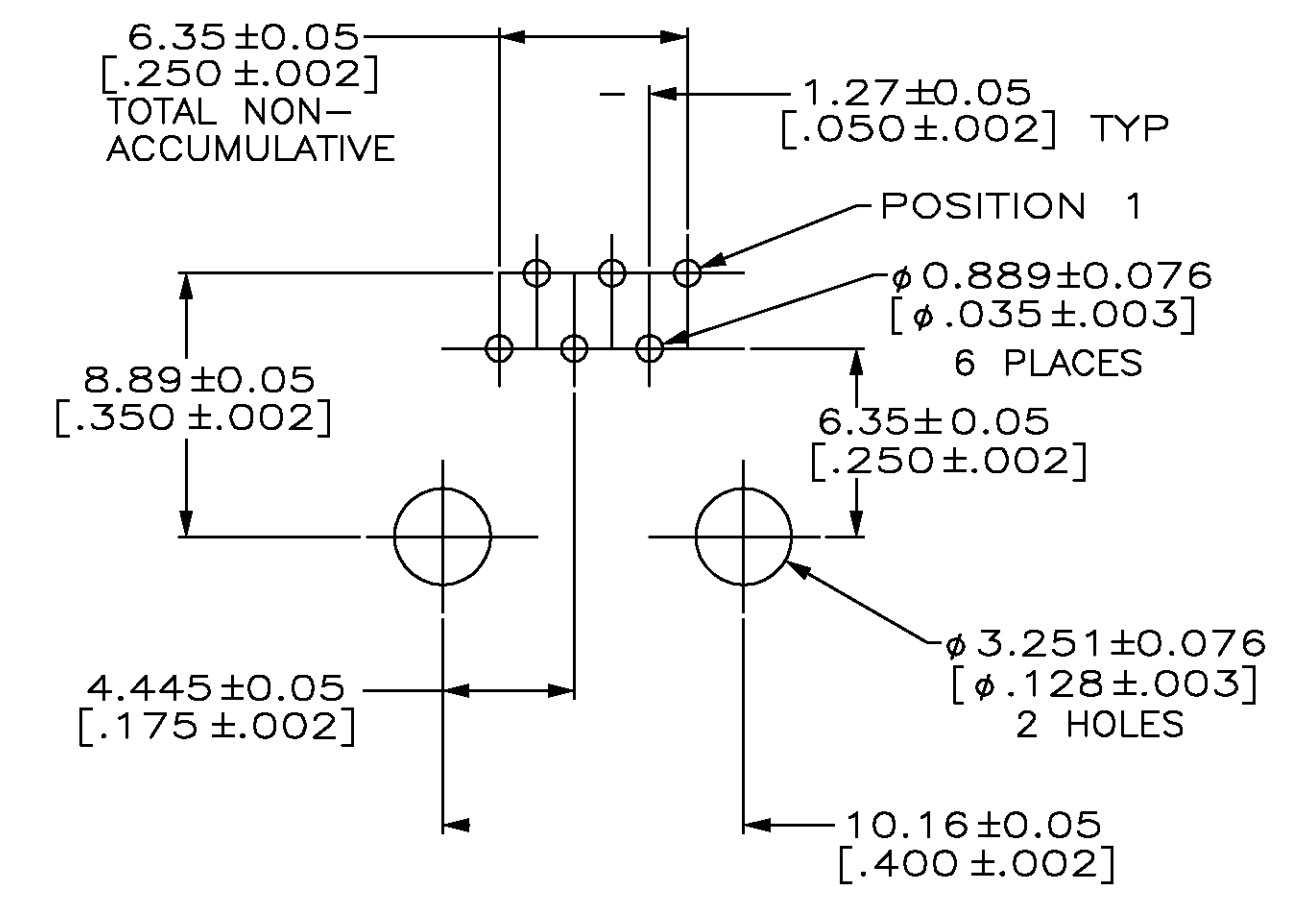
- ⚠ MATERIAL: HOUSING - PBT POLYESTER, GRAY.  
 TERMINAL - 0.35[.0138] THICK PHOS-BRONZE GOLD PLATED WITH 1.27μm[.000050] THICK HARD GOLD IN LOCALIZED GOLD PLATE AREA AND 2.03μm [.000080] THICK TIN-LEAD IN SOLDER AREA OVER 1.27μm[.000050] THICK NICKEL UNDERPLATE.
- ⚠ ALL DIMENSIONS SHOWN ARE MAXIMUM UNLESS OTHERWISE SPECIFIED.
- ⚠ BULK PACKAGED IN A TRAY.
- ⚠ PACKAGED 36 ASSEMBLIES PER TUBE WITH BOTH ENDS CLOSED. SEE DETAIL B.



SUGGESTED PANEL CUTOUT  
 SCALE 2:1



DETAIL B  
 SCALE 2:1



SUGGESTED PC BOARD LAYOUT  
 CIRCUIT SIDE SHOWN

⚠	6	555003-2
⚠	6	555003-1
PACKAGED	TERMINALS	PART NUMBER

THIS DRAWING IS A CONTROLLED DOCUMENT.

DRN L McEACHIN/UTA 26-APR-93	AMP Incorporated Harrisburg Pa 17105-3608
GRK N JONES 27-APR-93	
APRO EC LAURER 03-MAY-95	
PRODUCT SPEC 108-1163	MODULAR JACK ASSEMBLY, SIDE ENTRY, WITH RIGHT HAND LATCH, 8 POSITION, FLANGELESS, WITH PANEL STOPS
APPLICATION SPEC 114-2048	SIZE CAGE CODE DRAWING NO RESTRICTED TO
MATERIAL ⚠	WEIGHT - A1 00779 C=555003
DIMENSIONS: MM	CUSTOMER DRAWING SCALE 4:1 SHEET 1 OF 1 REV F