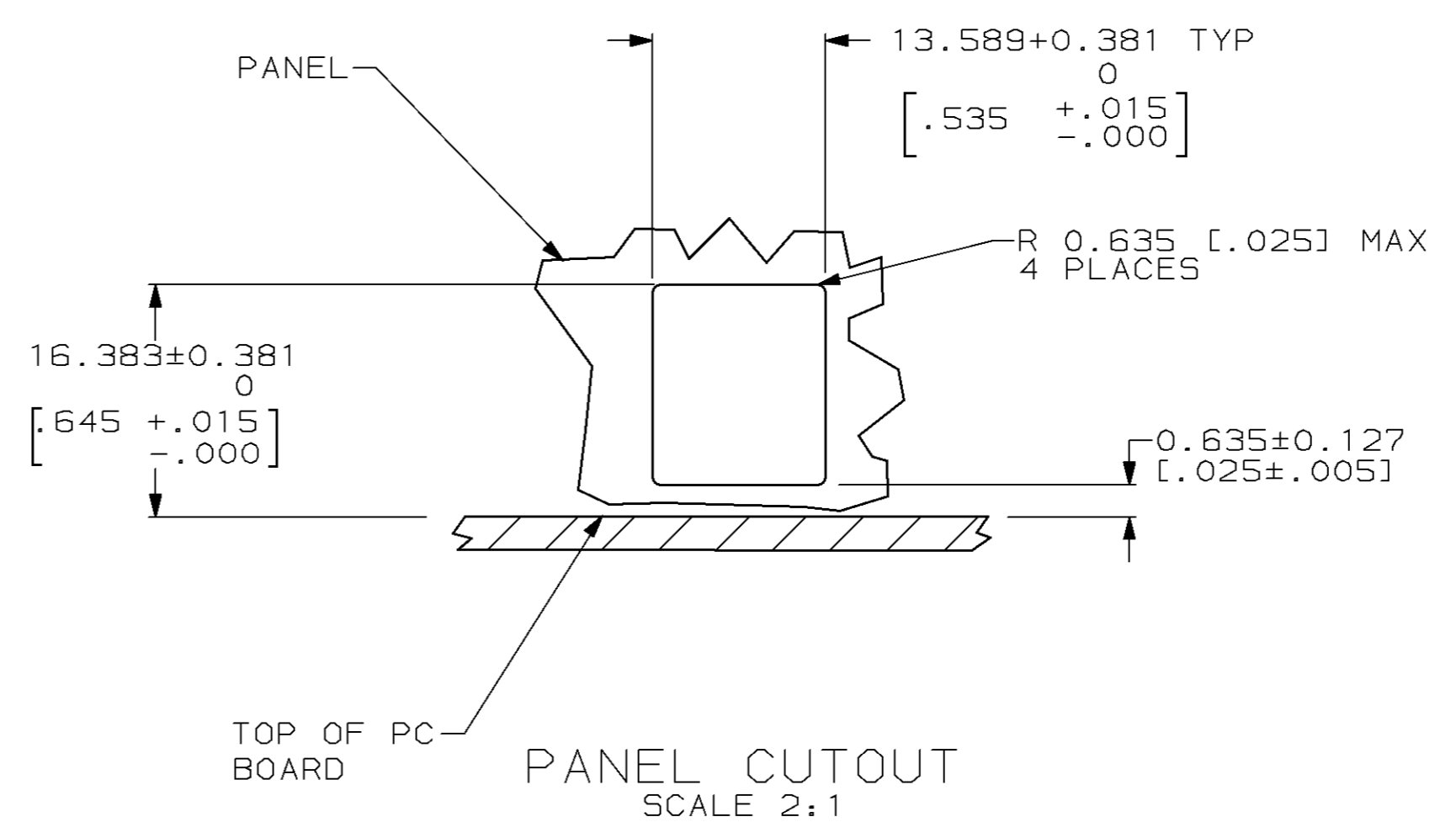
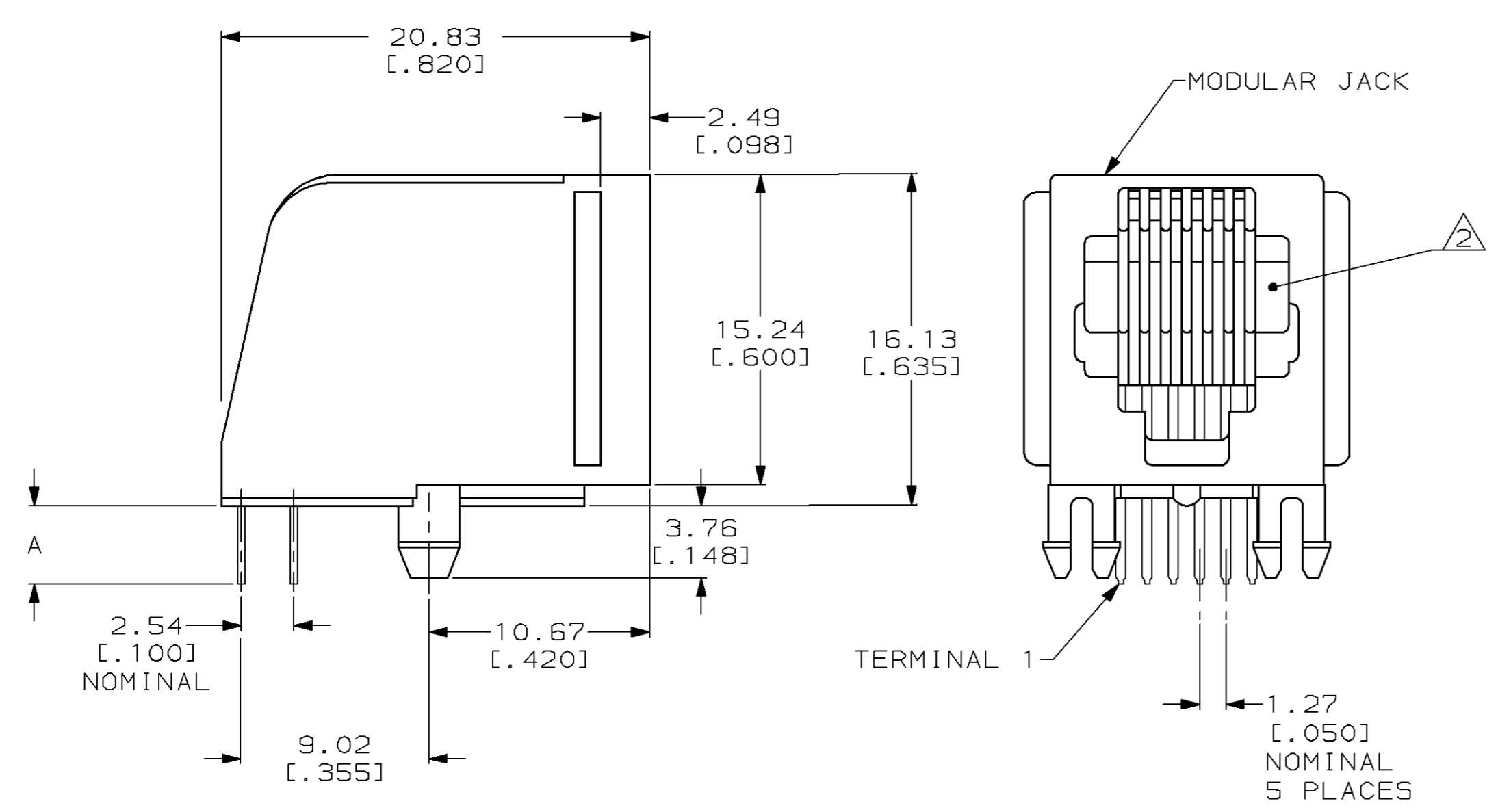
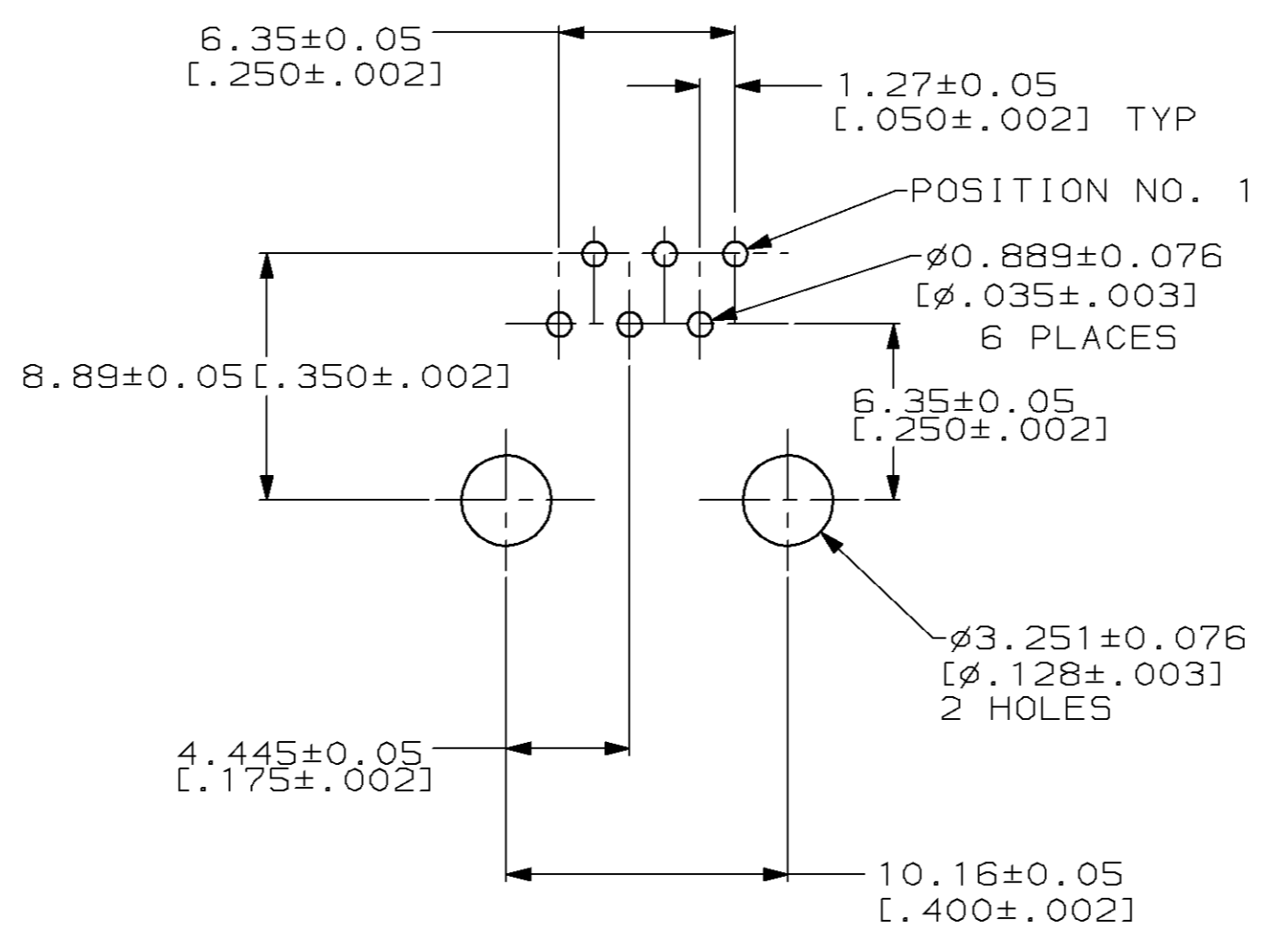
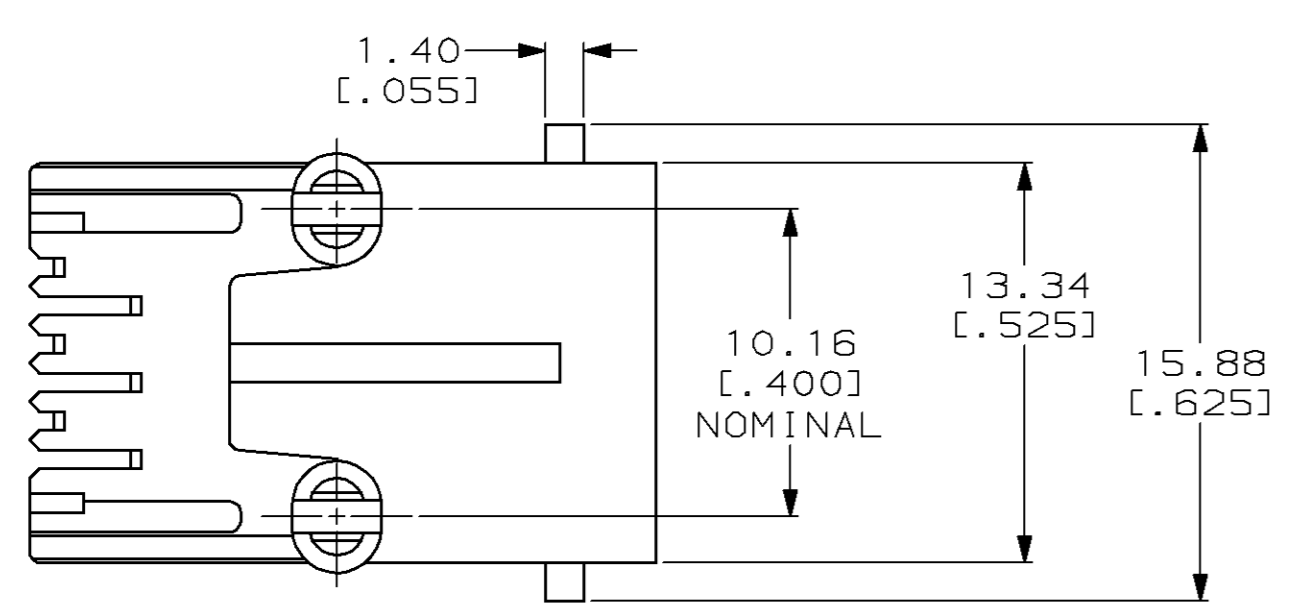


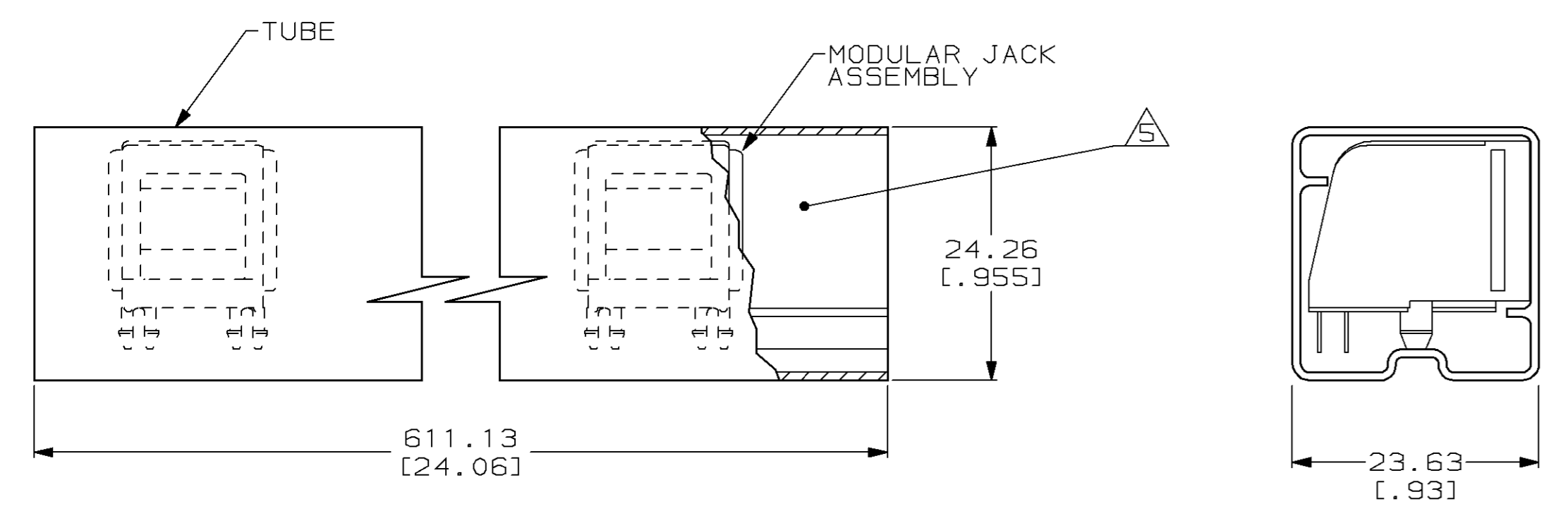
LOC	DIST	P	F	ZONE	LTR	DESCRIPTION	DATE	APPD
AA	22					W OBS:1/0;EC 0502-0841-97	20MAY98	05 CB



- 1 MATERIAL: HOUSING - PBT POLYESTER
 TERMINAL - 0.35 [.014] THICK PHOS-BRONZE PLATED WITH 1.27µm [.000050] THICK HARD GOLD IN LOCALIZED GOLD PLATE AREA AND 2.03µm [.000080] THICK TIN-LEAD IN SOLDER AREA OVER 1.27µm [.000050] THICK NICKEL UNDERPLATE.
- 2 CAVITY CONFORMS TO FCC RULES AND REGULATIONS PART 68 AND REA BULLETIN 345-81, PE-76 SPECIFICATION FOR MODULAR TELEPHONE HARDWARE.
- 3 DIMENSIONS ARE MAXIMUM UNLESS OTHERWISE SPECIFIED.
- 4 BULK PACKAGED IN A TRAY.
- 5 PACKAGED 36 ASSEMBLIES PER TUBE WITH BOTH ENDS CLOSED. SEE DETAIL B.
- 6 TERMINALS FOR 520250-1, -2, -4, -8, -9, AND -1/1 LOCATED IN CENTER POSITIONS.



PRINTED CIRCUIT BOARD LAYOUT
 CIRCUIT SIDE SHOWN



DETAIL B
 SCALE 2:1

2.16-2.67 [.085-.105]	4	BLACK	4	1-520250-1
3.30-4.32 [.13-.17]	4	BLACK	4	520250-9
		PEBBLE GRAY	4	520250-8
	6	BLACK	6	520250-7
		PEBBLE GRAY	4	520250-4
A	PACKAGED	BLACK	6	520250-3
			4	520250-2
			2	520250-1
			TERMINALS REQUIRED	PART NO

DO NOT SCALE PRINT. UNLESS SPECIFIED DIMENSIONS IN mm [INCHES] TOLERANCES ON: 2 PLC DEC ± - 3 PLC DEC ± - ANGLES ± -	DR 4-5-94 T. WOOTEN CHK 4-6-94 C. WHITT APPD 4-13-94 J. TONEY APPD 4-13-94 H. McGRATH	AMP Incorporated Harrisburg, PA 17105-3608		
MATERIAL	PRODUCT SPEC 108-1163	NAME MODULAR JACK ASSEMBLY, 6 POSITION, SIDE ENTRY, FLANGELESS, WITH PANEL STOPS		
FINISH	APPLICATION SPEC 114-2048	SIZE D	CAGE CODE 00779	DRAWING NO C=520250
	WEIGHT	SCALE 4:1	SHEET 1 OF 1	

THIS DRAWING IS A CONTROLLED DOCUMENT FOR AMP INCORPORATED. IT IS SUBJECT TO CHANGE AND THE CONTROLLING ENGINEERING ORGANIZATION SHOULD BE CONTACTED FOR THE LATEST REVISION.